

BOARD 2 A .

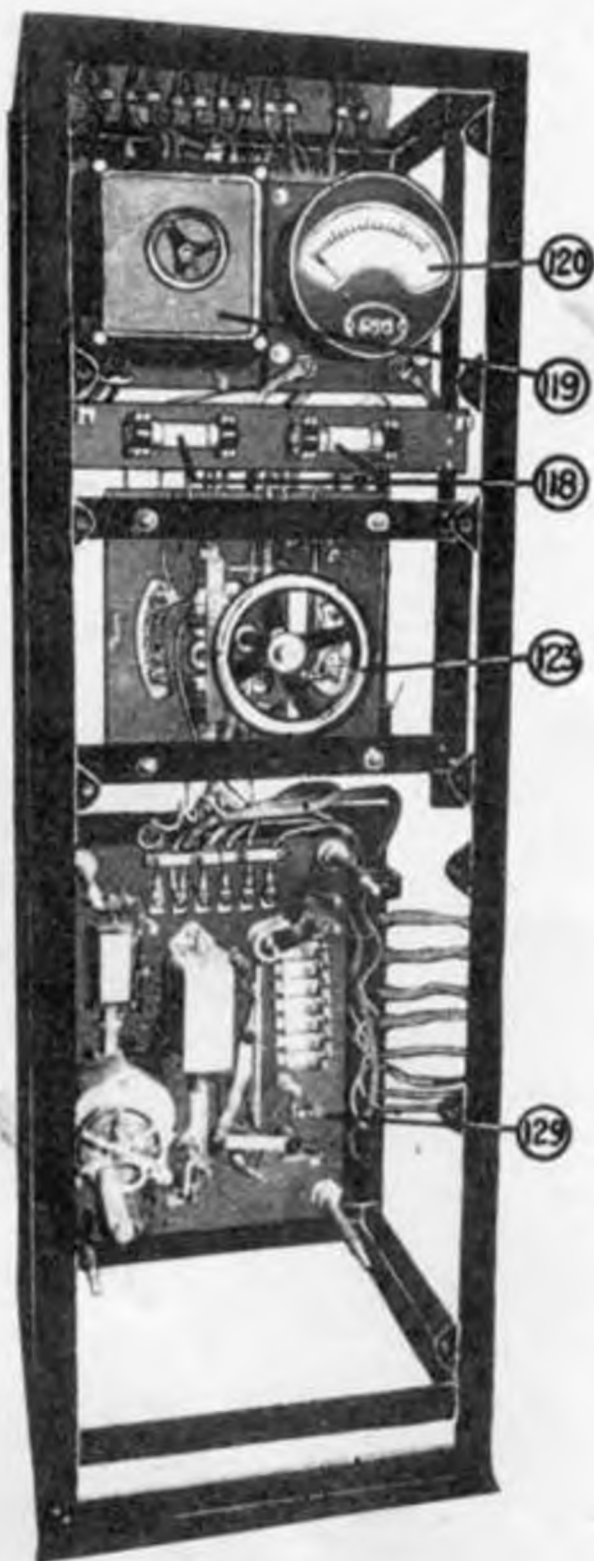
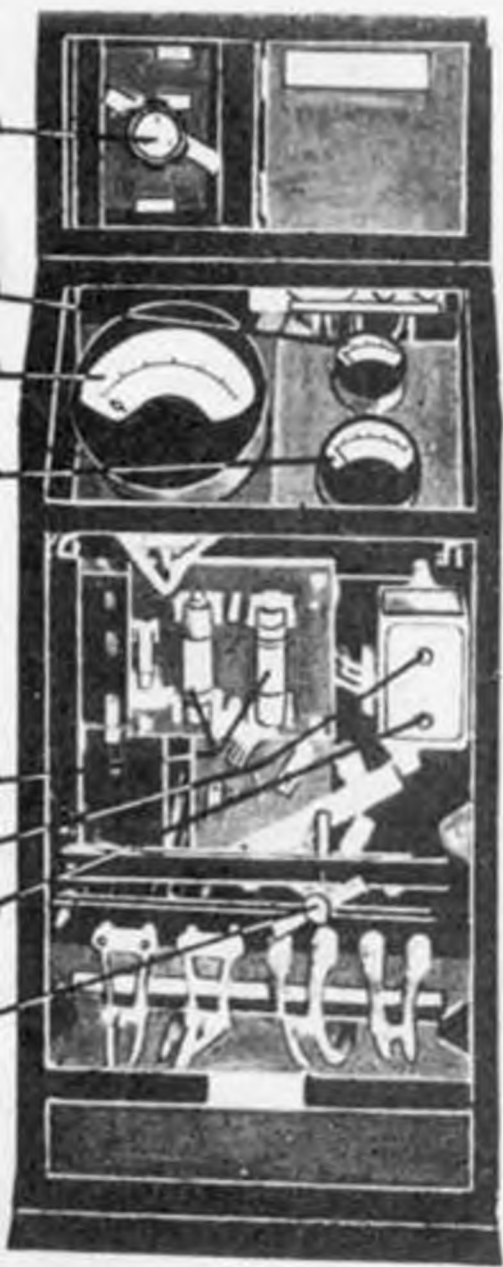


FIG. d.



BOARD 2 C.

BOARD 2 B

FIG. e.

# TYPE 45

RJ3

## POWER SUPPLY

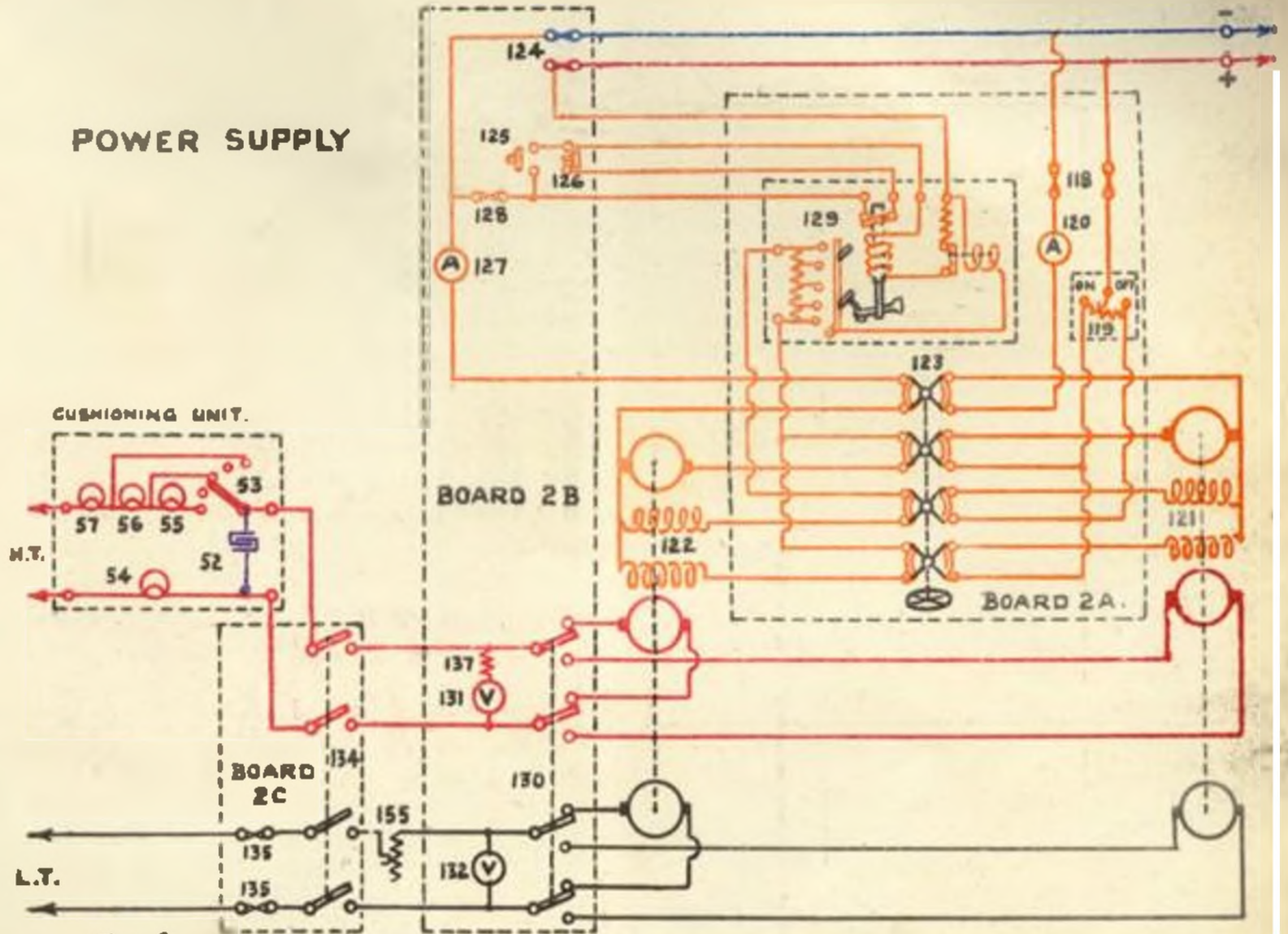


FIG. f.

I.C.W. POSITION

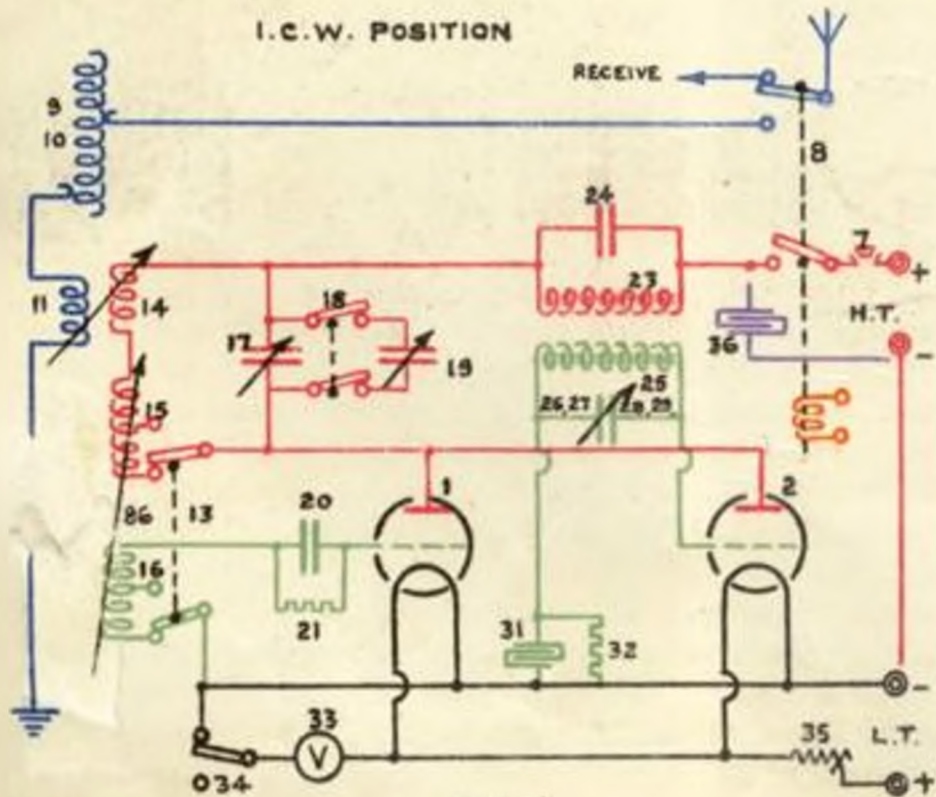


FIG. R.

C.W. POSITION.

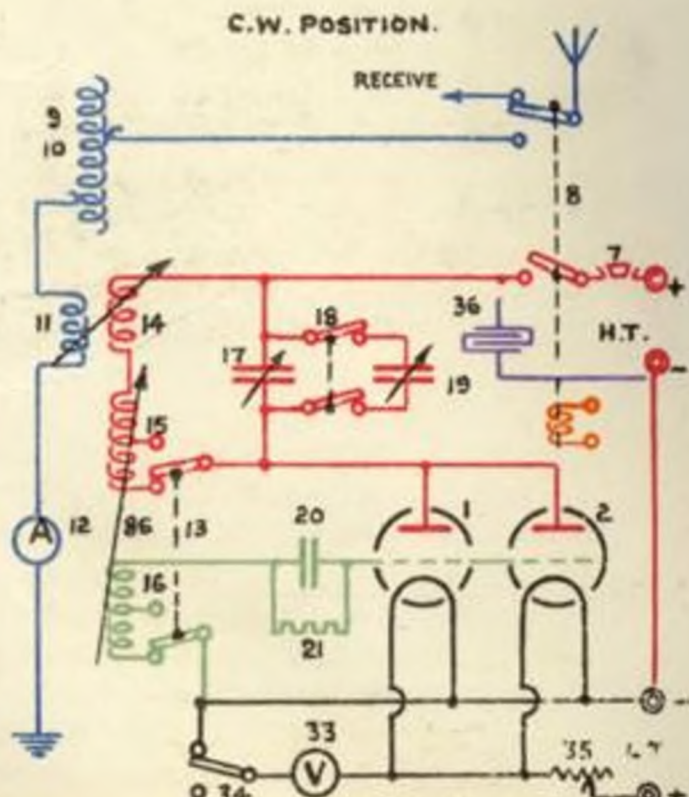


FIG. I.

